



**SUMMIT
AUTOMATION**
Bringing Doors to Life!

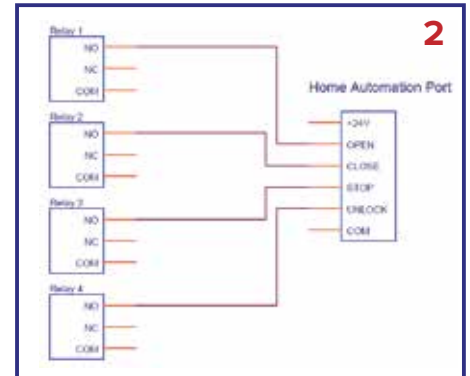
Summit Automation provides the best door and window automation systems in the world with exceptional Customer care.

HOME AUTOMATION CONNECTION INSTRUCTIONS



1

1. Turn the red AC power switch off and the green battery switch off, located on the exterior of the control box. Move the door into the fully closed position.
2. From the Home Automation terminal in the control box, connect Open, Close, Stop and Unlock to the normally open (NO) dry contact on each of the four Home Automation relays (1 relay for each command).



2

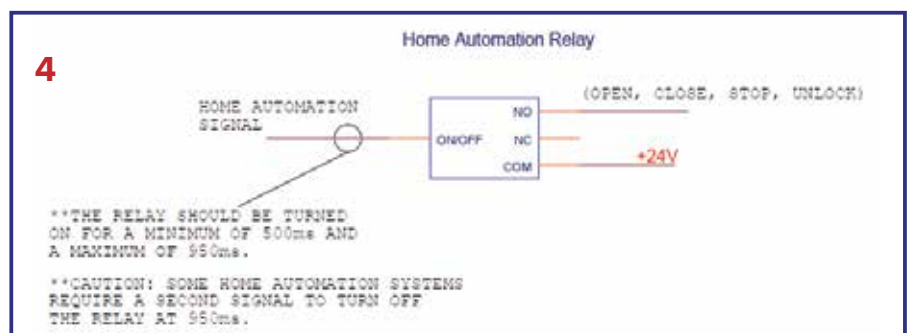
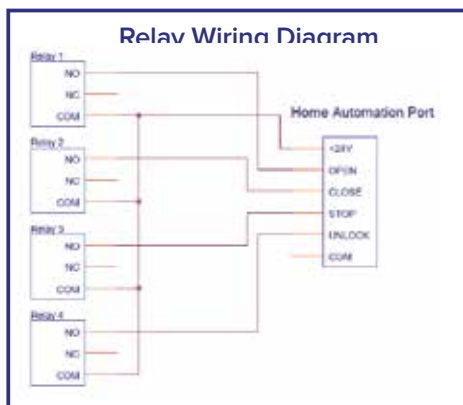
3. Connect a wire from the Home Automation terminal block labeled "+24V" to the contact labeled "COM" on the first Home Automation relay. Next, connect the "COM" from the first relay to the "COM" of the remaining 2nd, 3rd, and 4th relays.



3

4. When programming the home automation system, make sure the relay is turned on for a minimum of 500ms and a maximum of 950ms. When the relay is turned on, the normally open contact (NO) will close and send the +24V (COM) to the home automation port in the control box which will engage the desired command (open, close, stop, unlock).

Caution: Some home automation systems will require a second signal to turn off the relay at 950ms. Nothing is to be connected to the home automation port labeled "COM" in the control box.



5. (Assuming that the door remained in the fully closed position) Turn the red AC power switch on, and the green battery switch on. Once both switches are turned on, press the close button on your wall switch once, and then release immediately. Your door is now reset and is ready for operation.

No other company can compare to the quality, reliability, and Customer care of Summit Automation. **For more information call 480-500-5468 today!**



See Page 2 for Home Automation Conditioning Kit Installation



**SUMMIT
AUTOMATION**

Bringing Doors to Life!

Summit Automation provides the best door and window automation systems in the world with exceptional Customer care.

HOME AUTOMATION CONDITIONING KIT INSTALLATION

Kit Contents:

Each home automation conditioning kit will come with 4 filters, 1 wire and wire nuts. One filter is used for each door command, OPEN, CLOSE, STOP and UNLOCK.

Installation:

1. Insert the supplied wire into the position labeled “+24V” on the Home Automation port. Using the supplied wire nut, connect the wire going to the common contact on the relay to the wire that was installed into the +24V position.



Figure 1.
Filter Connected to
Door Command

2. Take one filter and insert one of the leads into the Home Automation port inside the control box. Insert the lead into the desired door command as shown in figure 1. Repeat this step for all doors commands being used. The end of the filter you choose to connect to the Home Automation port and to the relay does not matter.

***No connections are to be made in the port labeled “COM”.**

3. Attach the other end of the filter to the home automation relay using the supplied wire nuts. Repeat this step for all doors commands being used.



1 home
automation relay
per filter

4. The filters ensure that the duration of the signals that comes from the home automation relays do not exceed 950ms.

Figure 2.
All Filters Attached

No other company can compare to the quality, reliability, and Customer care of Summit Automation. **For more information call 480-500-5468 today!**

